



The Setup Trolley

KA-RW

Technology is our Passion

The KOENIG Automation AG was founded 1994 in Zurich Oberland and designs, manufactures and sells automation solutions for industrial applications.

Our core business is the manufacture of Conveyor and Loading Systems and their accessories for the automation of production machinery.

The company, KOENIG Automation AG, offers you high quality and innovative products / solutions with an optimum cost-performance ratio.

Machine-tools manufacturers, the automobile industry and its suppliers are among our customers.

Our units / systems are both robust and reliable and have been delivered all over the world, having been proven in some of the toughest environments available.

Our developmental aims follow Leonardo da Vinci's motto:

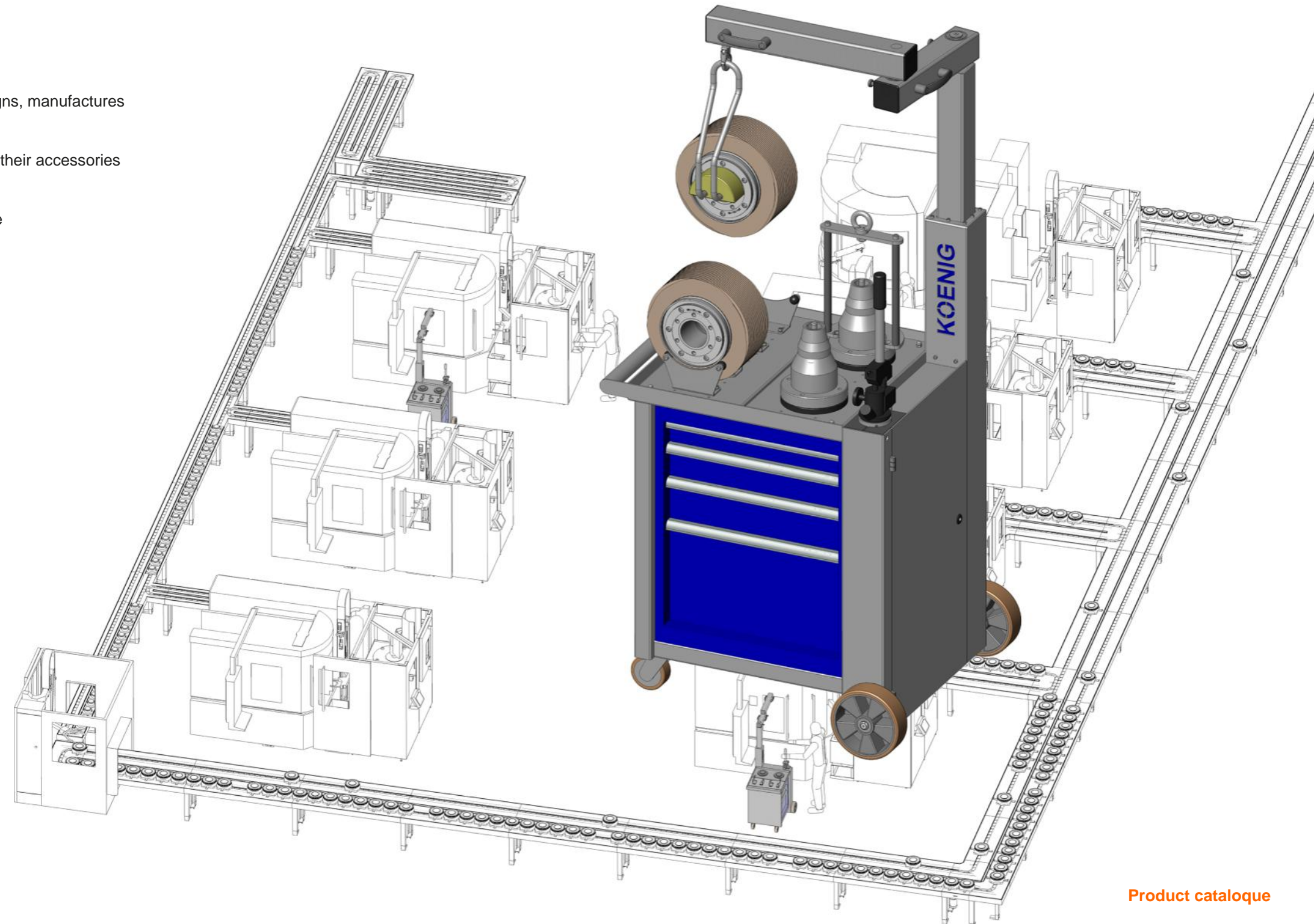
„Simplicity is the highest level of completion“

KOENIG Automation AG

Bachstrasse 6
CH-8633 Wolfhausen
Schweiz

Telefon +41 (0)55 450 50 20

www.koenig-automation.com
info@koenig-automation.com



KOENIG has developed the all new Setup Trolley KA-RW to comply with the current labour standards EN1005-2:2003 and provides the operator with an easy to use system.

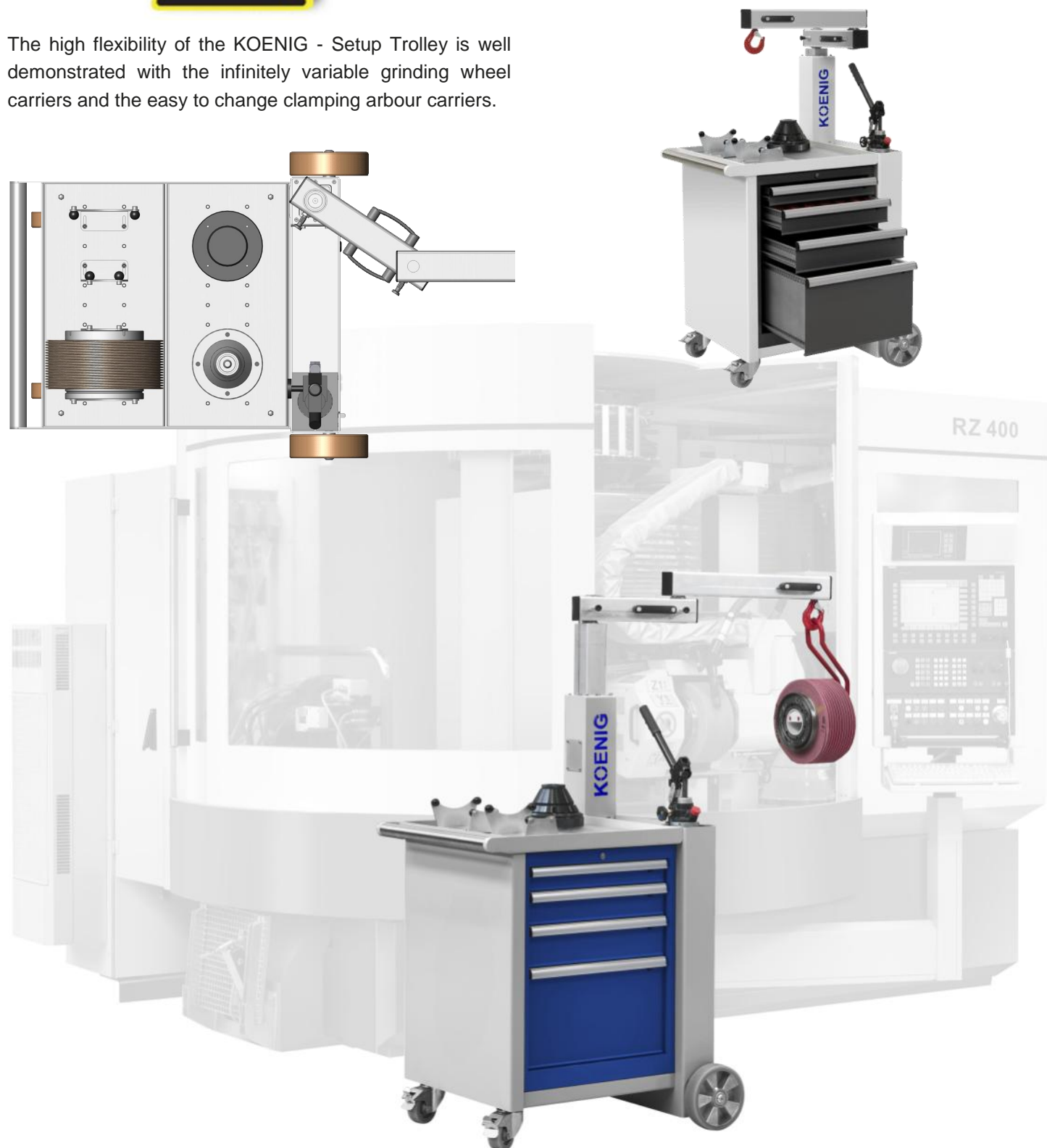


The high flexibility of the KOENIG - Setup Trolley is well demonstrated with the infinitely variable grinding wheel carriers and the easy to change clamping arbour carriers.

Our Setup Trolley has been specially designed for the setup or change-over of the Reishauer Gear Grinding Machines.

All accessories are stored and are immediately available, if required, to the operator at the corresponding machine.

With the integrated hydraulic lifting device, the handling of the grinding wheels and the clamping arbours is made easy.



Basic Data	KA-RW
Length	930 mm
Width	700 mm
Height (swivel arm retracted)	1520 mm
Overall weight	250 kg
Max. lifting weight	50 kg
Max. pivoting radius	800 mm
No. of grinding wheel carriers	2
No. of clamping arbour carriers	2



Options	KA-RW
Tool cabinet	4 drawers
Grinding wheel carriers	Infinitely variable
Clamping arbour carriers	Depending on machine type
Grinding wheel suspension device	Depending on machine type
Clamping arbour suspension device	Depending on machine type and specification