

EasyLift – Setup Trolley

Elegant Mechanics

- ✦ Lifting and transporting heavy loads ergonomically
- ✦ Changing grinding discs and tooling elegantly
- ✦ Comfortable hydraulic lifting
- ✦ Quick setup and retooling
- ✦ Cleverly supports operating personal
- ✦ Complies to labor standards EN1105-2:2003
- ✦ User friendly and manageable technic
- ✦ Dependable and durable



Technical design subject to change

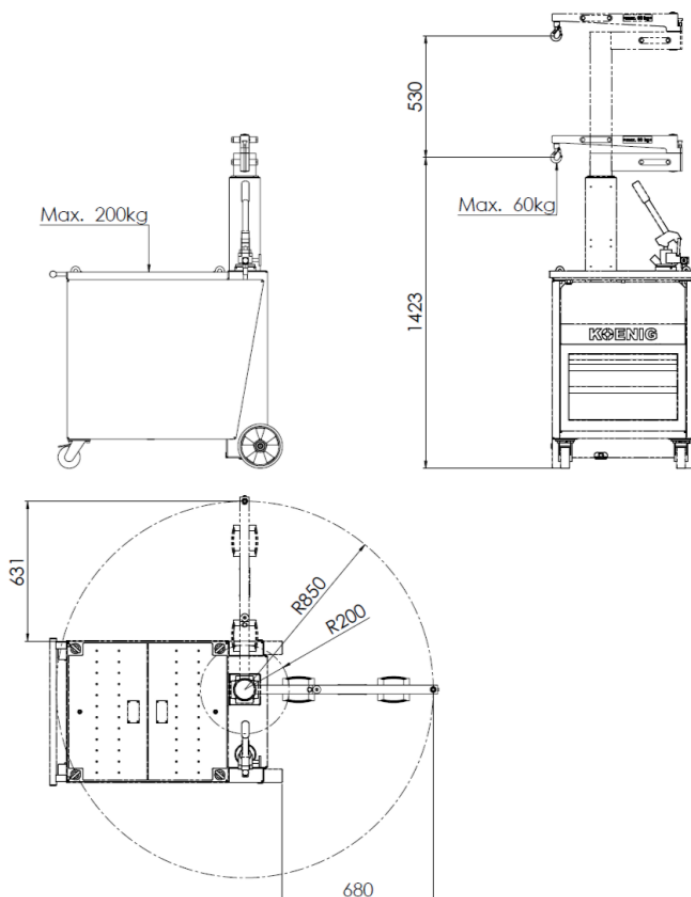
Elegant top performer

Load capacity of service tray	200 kg
Load capacity of lifting hook	60 kg
Weight unloaded	300 kg
Highest hook position	1953 mm
Lowest hook position	1423 mm
Largest working radius	850 mm
Smallest working radius	200 mm
Width	670 mm
Length	1050 mm

Standard scope of supply

Chassis	Powder coated sheet metal
Swing arm	Anodized aluminum
Lifting device	Hydraulic with hand pump
Compartment drawer	3 levels
Service tray	Prepared for additional accessories
Rollers	Ball bearing, polyurethane - treads
Color concept	Chassis RAL 2009 orange, drawer front RAL7038 agate grey
Documentation	2 copies

Optional alterations available upon request



Technical design subject to change